

Power Connectors

06



STS

216



SFS

216



SST

217



SW

218



STF

220



SFO

221

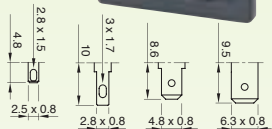


SCM81

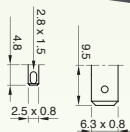
221

STS

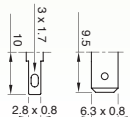
STS3
C14
Class I
T 70 °C



STS5
C16
Class I
T 120 °C



STS2
C18
Class II
T 70 °C



10 A / 250 VAC
EN 60320

10 A / 250 VAC
15 A / 125 VAC
UL 498

TYPICAL APPLICATIONS Coffee machine, appliance inlet for cold/warm conditions with/without earthing contact, for "snap in" fastening

WIRING DIAGRAMAS

- 2-pole
- 2-pole + earth

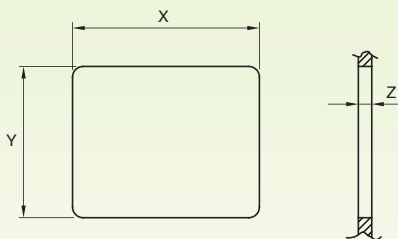
CUT OUT 27x20 mm

GWT 850 °C

GWT NO FLAME (<2sec) 750 °C on demand

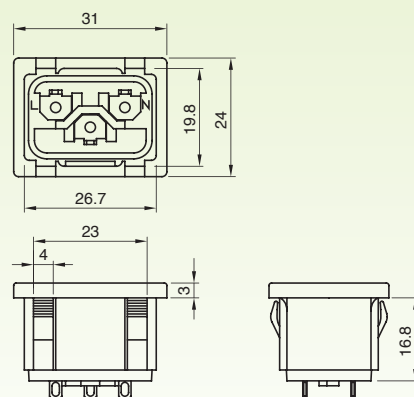


CUT OUT



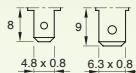
Z	X	Y
1 ... 1,8	27	20,0 +0,2
1,8 ... 3,0	27	20,2 +0,2

DRAWING



SFS

SFS2
H
Class II
T 70 °C



SFS3
F
Class I
T 70 °C



10 A / 250 VAC
EN 60320

10 A / 250 VAC
15 A / 125 VAC
UL 498

TYPICAL APPLICATIONS Small appliances, appliance outlet for cold conditions with/without earthing contact, for "snap in" fastening

WIRING DIAGRAMAS

- 2-pole
- 2-pole + earth

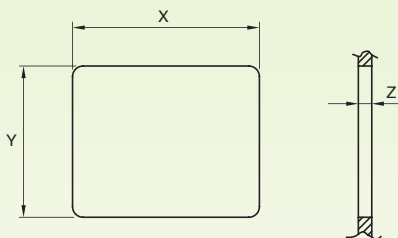
CUT OUT 32x25 mm

GWT 850 °C

GWT NO FLAME (<2sec) 750 °C on demand

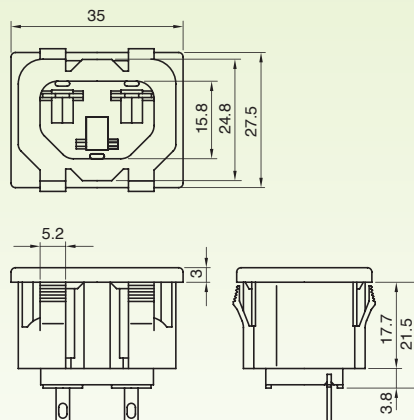


CUT OUT



Z	X	Y
1 ... 1,8	32,5	25,0 +0,2
1,9 ... 3,0	32,5	25,2 +0,2

DRAWING



TYPICAL APPLICATIONS Small appliances, appliance inlet for cold conditions with/without earthing contact and 1 fuse-holder

WIRING DIAGRAMAS

- 2-pole with fuse-holder
- 2-pole + earth with fuse-holder

CUT OUT 31x27 mm

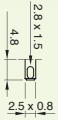
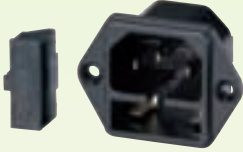
GWFI 850 °C

GWIT 750 °C on demand



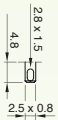
SST...

C14
Class I
T 70 °C



SST...

C14
Class I
T 70 °C



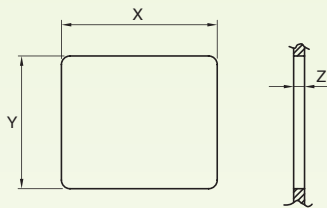
SST...

C18
Class II
T 70 °C

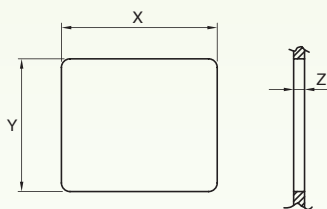


CUT OUT

Mounting hole 90° countersink

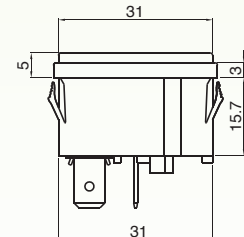
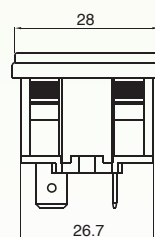
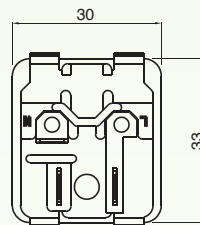
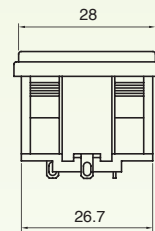
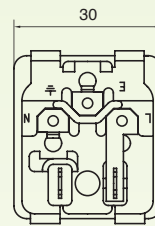
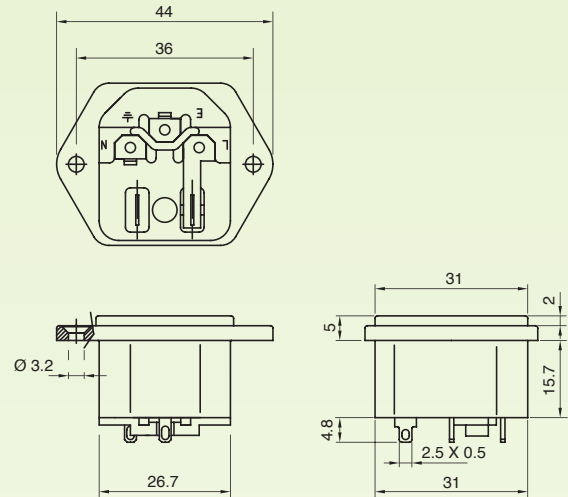


Z	X	Y
1 ... 1,8	31,3 ... 31,5	27,0 +0,2
1,9 ... 3,2	31,5 ... 31,7	27,0 +0,2



Z	X	Y
1 ... 1,8	31,3 ... 31,5	27,0 +0,2
1,9 ... 3,2	31,5 ... 31,7	27,0 +0,2

DRAWING



SW

10 A / 250 VAC EN 60320 6 A / 250 VAC UL 498
Fuse max 6.3 A 250 VAC

TYPICAL APPLICATIONS Small appliances, appliance inlet for cold conditions with earthing contact, 1 or 2 fuse-holders For voltage selector

WIRING DIAGRAMS ■ 2-pole + earth with fuse-holder slots

CUT OUT 56x28 mm

GWT 850 °C

GWT NO FLAME (<2sec) 750 °C on demand

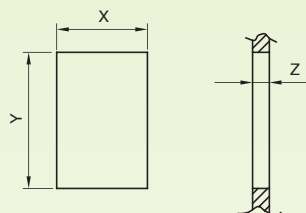


SW.
C14
Class I
T 70 °C



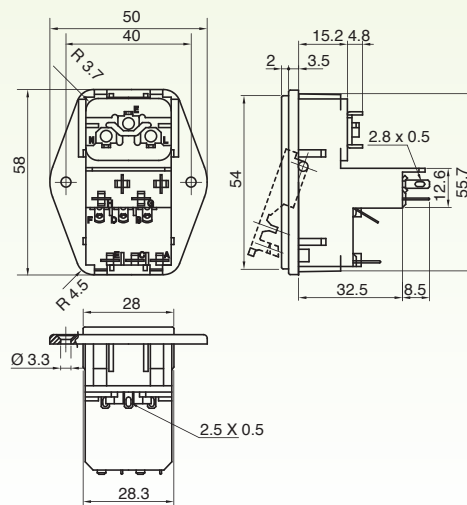
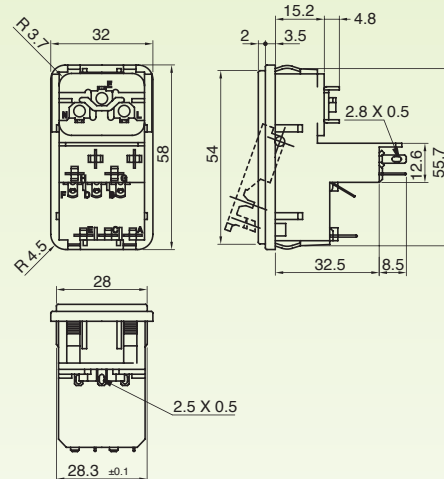
TF 2.8 x 1.5

CUT OUT



Z	X	Y
0,8 ... 2,0	55,9 ... 56,1	28,5 ... 28,7
2,1 ... 3,2	56,2 ... 56,4	28,5 ... 28,7

DRAWING



Mounting hole 90° countersink

SW5.
C14
Class I
T 70 °C



TF 2.8 x 1.5

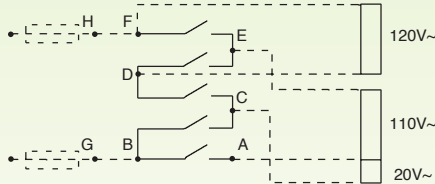
ACTUATING DEVICE FOR VOLTAGE SELECTOR

Accessories available for SW. and SW5.

SW950A1



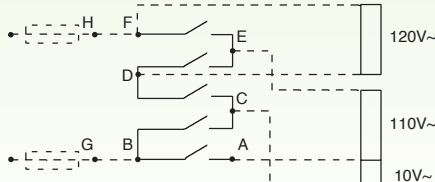
	100V~	120V~	220V~	240V~
F - E	↔	↔	↔	↔
D - E	↔	↔	↔	↔
D - C	↔	↔	↔	↔
B - C	↔	↔	↔	↔
B - A	↔	↔	↔	↔



SW966A1



	100V~	120V~	230V~	240V~
F - E	↔	↔	↔	↔
D - E	↔	↔	↔	↔
D - C	↔	↔	↔	↔
B - C	↔	↔	↔	↔
B - A	↔	↔	↔	↔



10 A / 250 VAC EN 60320 6 A / 250 VAC UL 498

Fuse max 6.3 A 250 VAC

TYPICAL APPLICATIONS

Small appliances, appliance inlet for cold conditions with earthing contact, 1 or 2 fuse holders With cut out for switch

WIRING DIAGRAMAS

■ 2-pole + earth with fuse-holder slots

CUT OUT

56x28 mm

GWT

850 °C

GWT NO FLAME (<2sec)

750 °C on demand



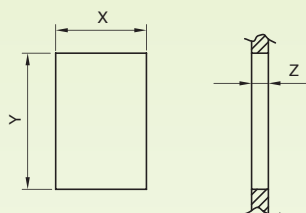
SW10.

C14
Class I
T 70 °C



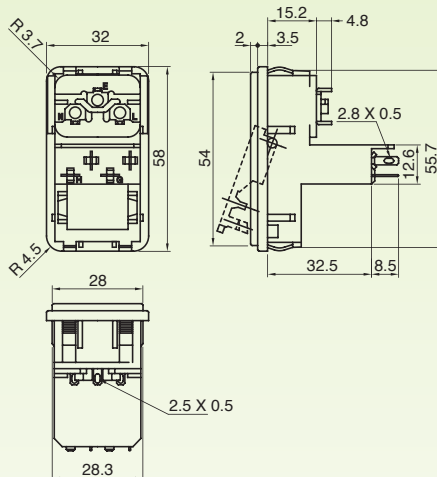
2.8 x 1.5

CUT OUT



Z	X	Y
0,8 ... 2,0	55,9 ... 56,1	28,5 ... 28,7
2,1 ... 3,2	56,2 ... 56,4	28,5 ... 28,7

DRAWING



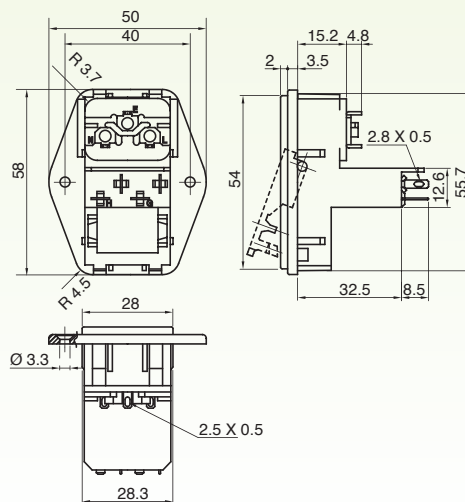
SW15.

C14
Class I
T 70 °C



2.8 x 1.5

Mounting hole 90° countersink



FUSE-HOLDERS

Accessories available for the whole SW series



SW900A1

USA fuse-holders
Fuse-holders dimensions: 6.3 x 32 mm



SW900A1

European fuse-holders
Fuse-holders dimensions: 5 x 20 mm
Fuse max 6.3 A 250 VAC

STF

10 A / 250 VAC EN 60320
 10 A / 250 VAC
 15 A / 125 VAC
 UL 498

TYPICAL APPLICATIONS Ironing systems, appliance inlet for cold/warm conditions with earthing contact, mounting hole with 90° countersink

WIRING DIAGRAMS 2-pole + earth

CUT OUT screw fixing

GWT 850 °C

GWT NO FLAME (<2sec) 750 °C on demand



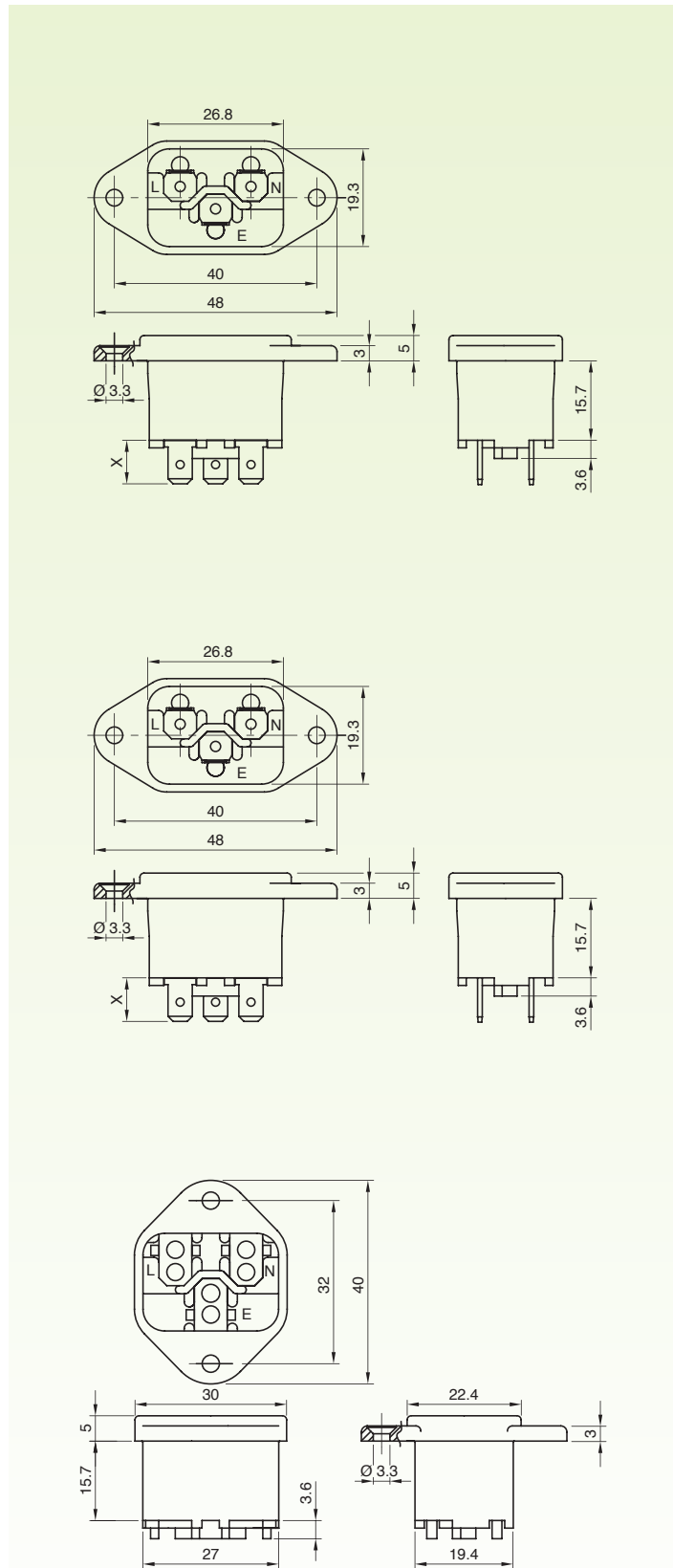
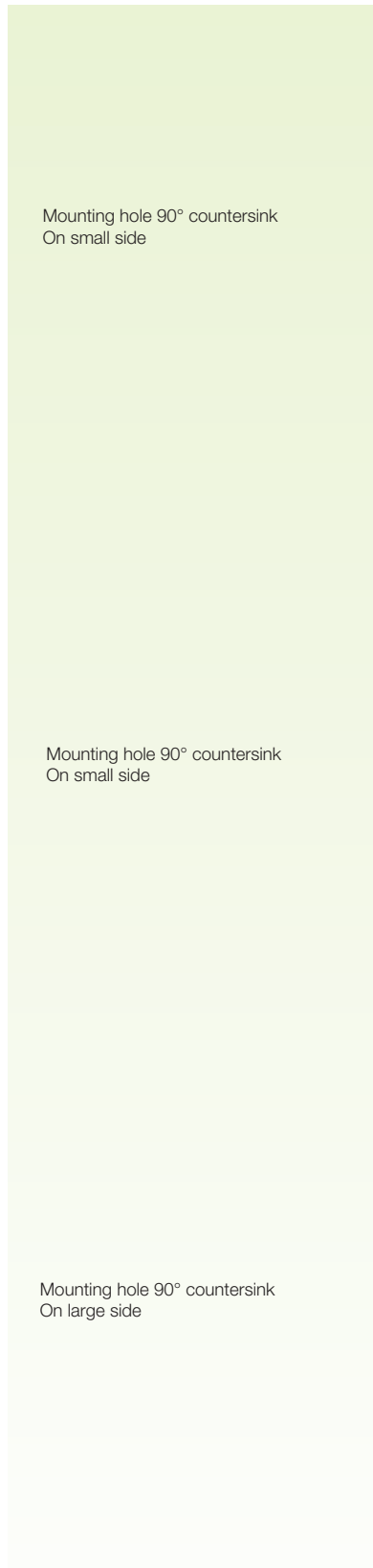
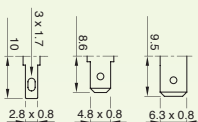
CUT OUT

Mounting hole 90° countersink
 On small side

DRAWING

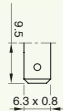
STF...

C14
 Class I
 T 70 °C



STF...

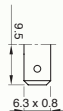
C16
 Class I
 T 120 °C



Mounting hole 90° countersink
 On small side

STF...

C16
 Class I
 T 120 °C



Mounting hole 90° countersink
 On large side

SFO

10 A / 250 VAC
EN 60320

10 A / 250 VAC
15 A / 125 VAC
UL 498

TYPICAL APPLICATIONS

Computer and peripherals, connector for cold/warm conditions with earthing contact, rewirable

WIRING DIAGRAMAS

Power inlet connector 2-pole + earth

CUT OUT

With electric wire

GWT

850 °C

GWT NO FLAME (<2sec)

750 °C on demand



SFO 430

C13
Class I
T 70 °C



Screw terminals

SFO 440

C13
Class I
T 70 °C



Screw terminals

SFO 550

C15
Class I
T 120 °C



Screw terminals

SCM81



10 A / 250 VAC
CEI 23-50 - II Ed. 2007
+V1:2008 +V2:2011

TYPICAL APPLICATIONS

Bathroom furniture

WIRING DIAGRAMAS

- Italian 2-pole
- Italian 2-pole + earth

CUT OUT

27x12 mm

GWT

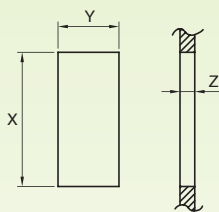
850 °C

GWT NO FLAME (<2sec)

750 °C on demand



CUT OUT



Z	X	Y
0,75 ... 1,25	12,4	$27,3^{+0,0}_{-0,1}$
1,25 ... 2,0	12,4	$27,5^{+0,0}_{-0,1}$
2,0 ... 3,0	12,4	$27,9^{+0,0}_{-0,2}$
3,0 ... 4,0	12,4	$28,1^{+0,0}_{-0,2}$

DRAWING

